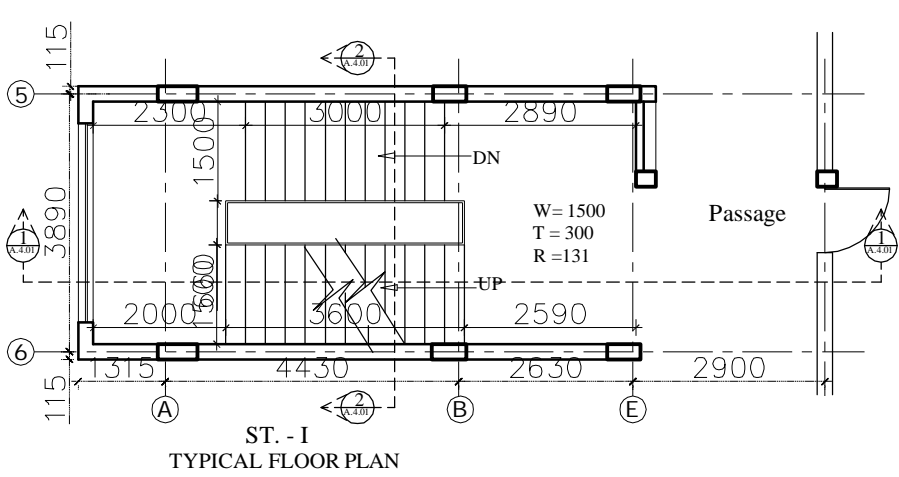
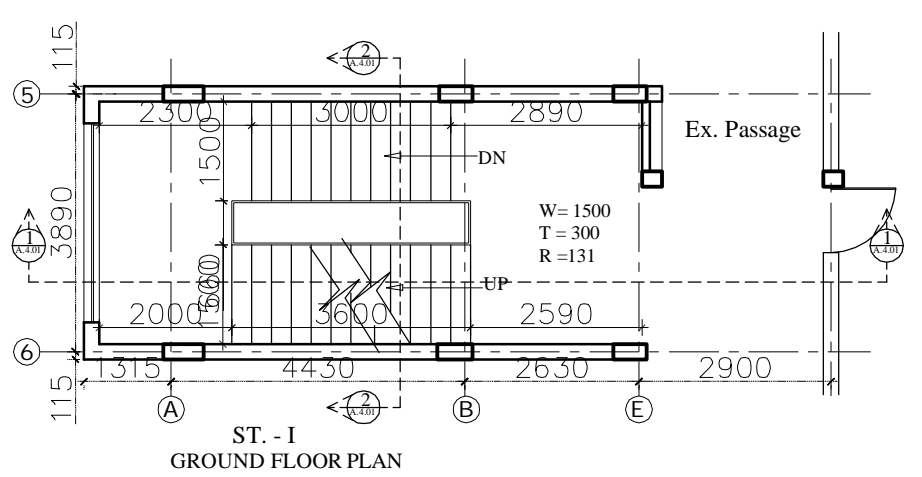
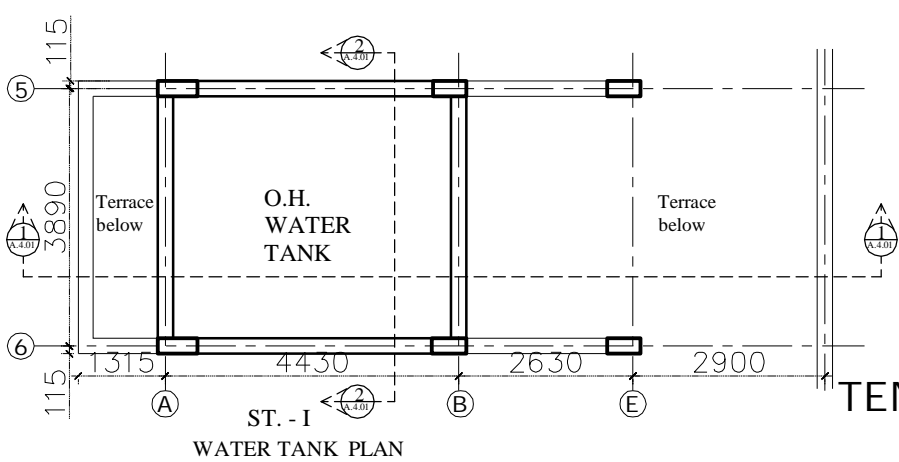
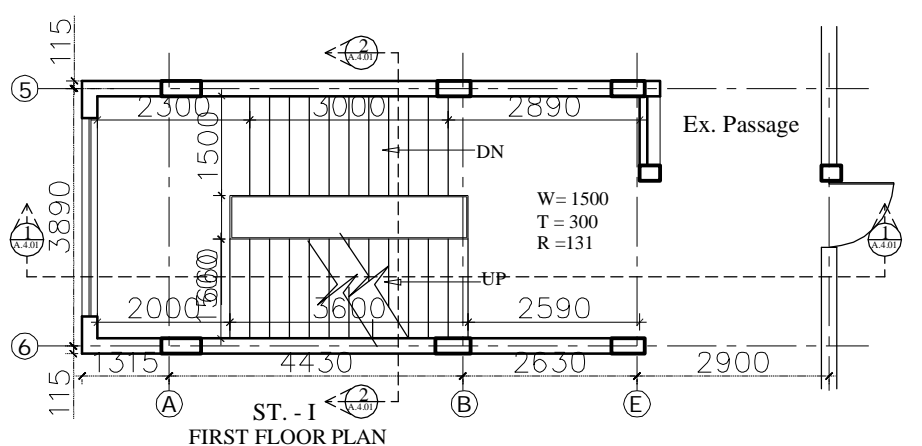
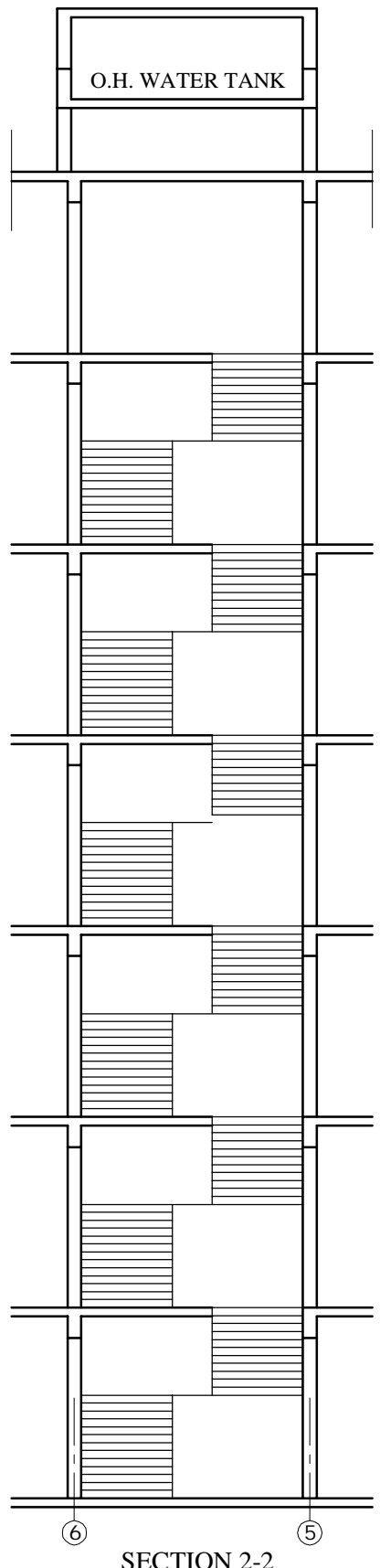
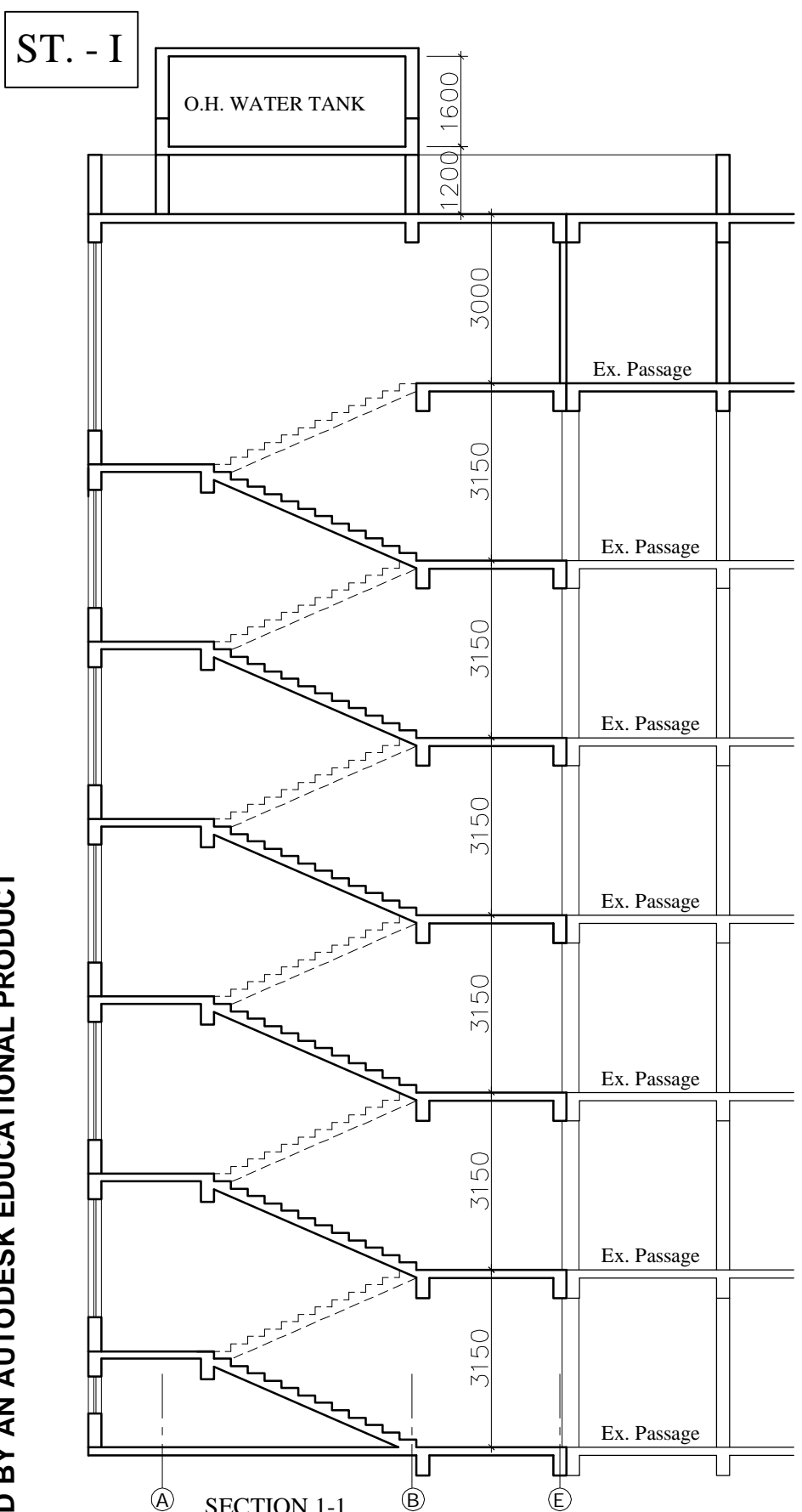


PRODUCED BY AN AUTODESK EDUCATIONAL PRODUCT



TENDER DRAWING

REV	DATE	DISCRPTION
space forum architects pvt. ltc 114, ARNIYA PLAZA 27/2, MANORMAGANJ INDORE - 452001 TEL:- 0731-2494930		
JOB TITLE		
MGM'S STUDENT'S HOSTEL BUIDING AND ALLIED EDUCATIONAL BLDG. ON EDUCATIONAL PLOT, CIDCO TOWN CENTER, AURANGABAD FOR MAHATMA GANDHI MISSION TRUST		
SHEET TITLE		
STAIR CASE - I		
DEALT BY.		NORTH
CHECKED BY.		
SCALE	NTS	
DATE	01.04.2018	
DRG. NO.	A 2 01	